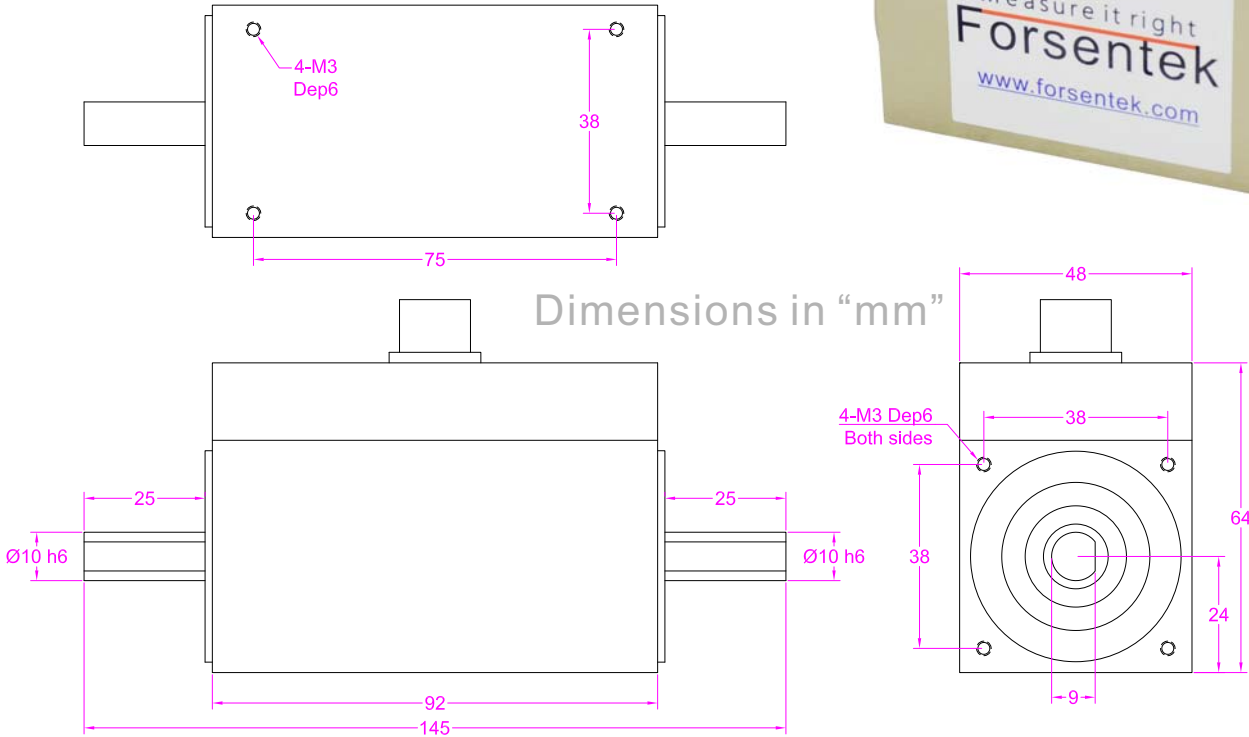
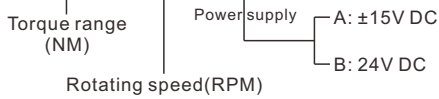


Ordering code

FYTS-0.5-4000-A

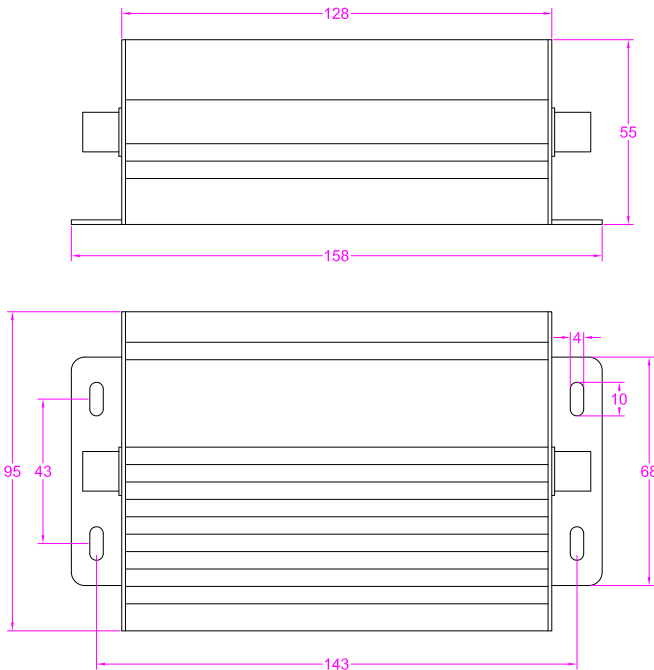


--- Specifications / 规格参数 ---

Capacity/量程	0.05/0.1/0.2/0.5 NM	1/2/3 NM
Maximum Rotating speed/最高转速	8000RPM(Standard) (11000RPM optional)	6000RPM(Standard) (9000RPM optional)
Excitation/激励电压	±15V DC(or 24V DC)	
Rated Output/额定输出	TTL Square wave output@5V Torque: 5kHz~15kHz Speed: 60 pulses/Rev.	
Zero Balance/零点输出	10kHz	
Nonlinearity/非线性	±0.5% of F.S.	±0.25% of F.S.
Hysteresis/滞后	±0.5% of F.S.	±0.25% of F.S.
Nonrepeatability/非重复性	±0.2% of F.S.	±0.1% of F.S.
Creep/蠕变(10min)	±0.1% of F.S.	
Safe Overload/安全过载	150% of F.S.	
Ultimate Overload/极限过载	200% of F.S.	
Working Temperature/工作温度	-10...+60°C	
Ingress protection/防护等级	IP50	
Material of Element/弹性体材料	Aluminum alloy/铝合金	
Cable/导线	Ø5*3000mm shielded cable with mating connector Ø5*3000mm 屏蔽线	

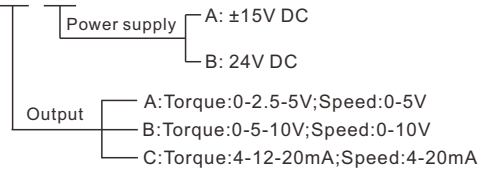
• Subject to change without notice / 如有更改,不另行通知

Frequency to Analog converter



Ordering code

FAC-A-A



Function	Turn frequency signal into analog output
Power supply	±15V DC(or 24V DC)
Output	Refer to ordering code
Accuracy	0.2% F.S.
Housing	Aluminum alloy
Ingress protection	IP20
Cable	Ø5*3000mm with mating connector

Wiring example of Torque sensor&signal converter

